

# Winkhaus **FireFrame**<sup>®</sup>

The 30 & 60 minute (FD30 & FD60) Fire Door Frame



in  
Doors

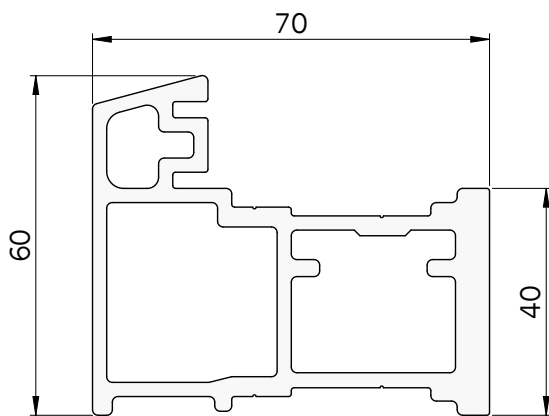
# Winkhaus FireFrame®

## The 30 & 60 minute (FD30 & FD60) Fire Door Frame



Following extensive market research it was established that a viable alternative to Hardwood and PVCu outer frames was required for FD30 & FD60 doors that could reduce material costs, simplify production and reduce labour costs.

Designed by Winkhaus UK, FireFrame® fulfils this criteria and ideally suits the Winkhaus AV2 multi-point locking system which is widely specified.

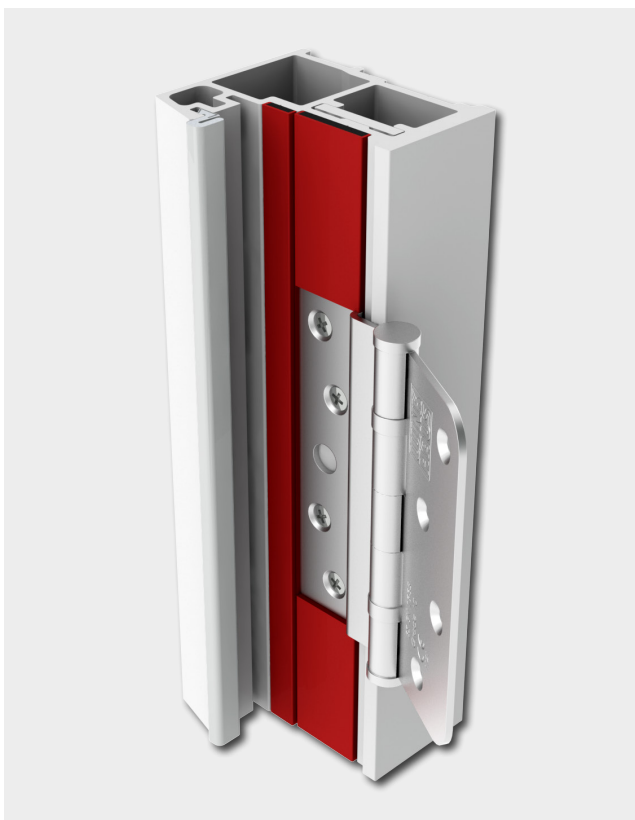


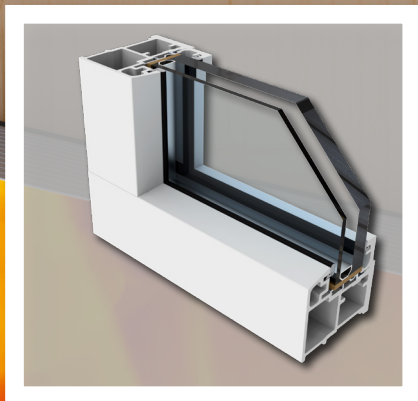
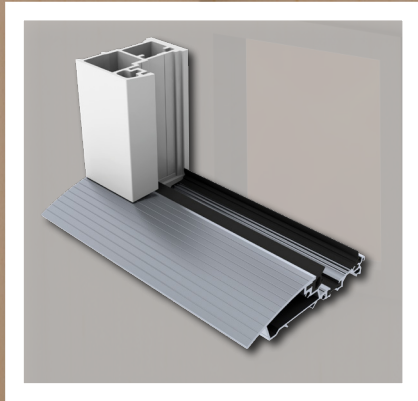
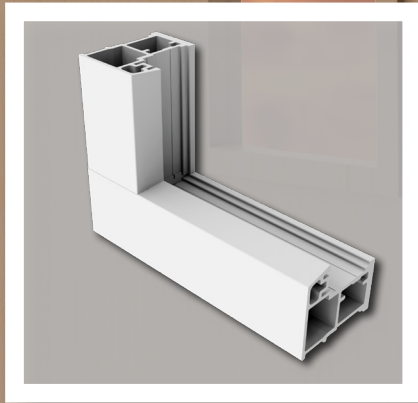
### Applications:

- + Suitable for both FD30 and FD60 rated doors
- + Designed for 44mm thick timber and composite door leaves.
- + Designed for use with Winkhaus keeps which allows for speedy and accurate production.
- + Building products using the same production technology as FireFrame® have been successfully sold in the rest of Europe for over 10 years.
- + FireFrame® is suitable for FD30 and FD60 door assemblies with side glazing and/or fan lights. Mullion or coupled frame construction are both possible.
- + Slim internal sight lines provide a pleasing visual appearance
- + Compatible with low threshold systems.
- + Winkhaus exclusive design.

### Testing:

- + Tested to comply with future EN 14351 CE requirements for fire doors.
- + Tested for 30 and 60 minute fire doors to EN 1634-1:2014 + A1:2018 and EN 1363-1:2012.
- + Tested for smoke control fire doors to EN 1634-3:2004.
- + Tested in doorsets to comply with PAS23/24 security standard and Approved Document Q: UK building regulations.





---

#### Technical Performance of Winkhaus FireFrame®:

---

- + Specifically designed to benefit hardware location, security and assembly
  - + Complete with special frame channel to locate the Winkhaus multi-point lock keeps, hinges and the intumescent.
  - + Extremely resilient to impact, kicking, gouging, burglary attack.
  - + Incorporates single or double weatherseals for high weather performance and low operating forces.
  - + Very low thermal conductivity.
  - + UV stable.
  - + 10 year guarantee.
  - + The mechanically jointed system can be repaired and individual frame members replaced.
  - + Wipe clean surface.
-

Winkhaus UK Ltd

2950 Kettering Parkway, Kettering,  
Northants NN15 6XZ

Tel: +44 (0)1536 316000

Fax: +44 (0)1536 416516

[www.winkhaus.co.uk](http://www.winkhaus.co.uk)

[email: enquiries@winkhaus.co.uk](mailto:enquiries@winkhaus.co.uk)

Winkhaus FireFrame 2019-A